



Safety Instructions



0,1,2,3,4,6,7,8,9,10,11,
15,17,18,20,22,24,27



Info Hotline **+49 (0) 5041 998 389**
Mon. - Do. 7⁰⁰ - 20⁰⁰
Fr. 7⁰⁰ - 17⁰⁰

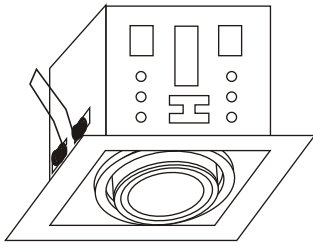


Paulmann Licht GmbH
31832 Springe / Germany
www.paulmann.com

Art.-Nr.:
753.01

(+MA 173)

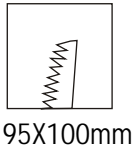
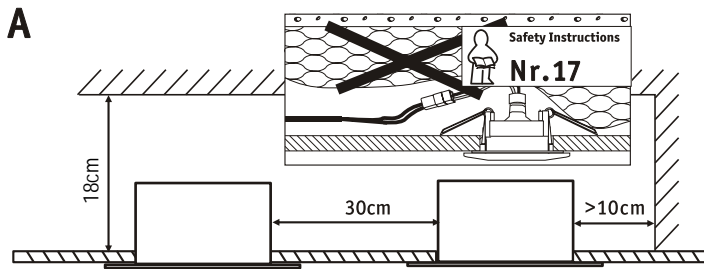
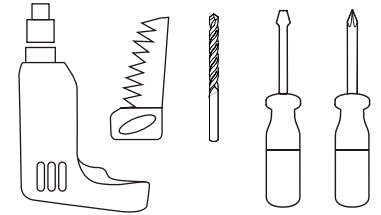
PDG 11/09



1x



1x

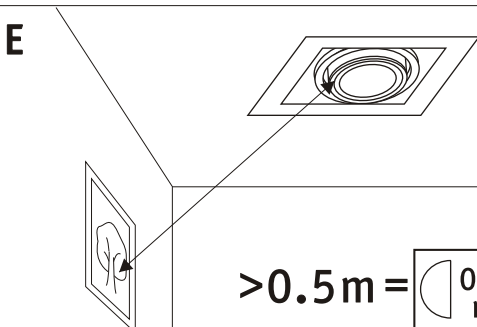
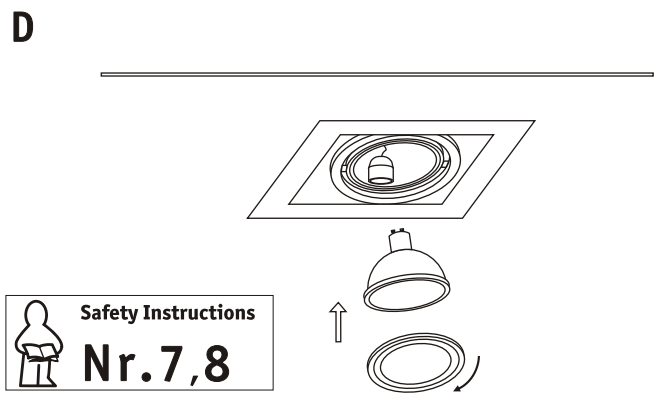
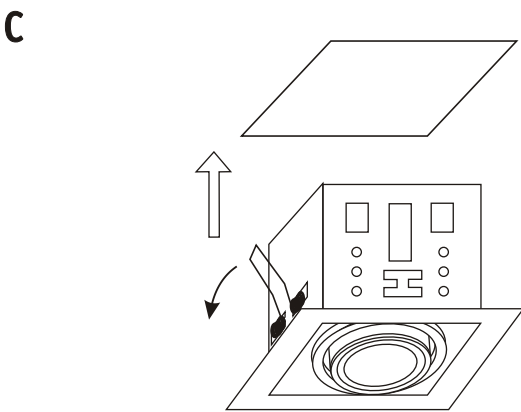
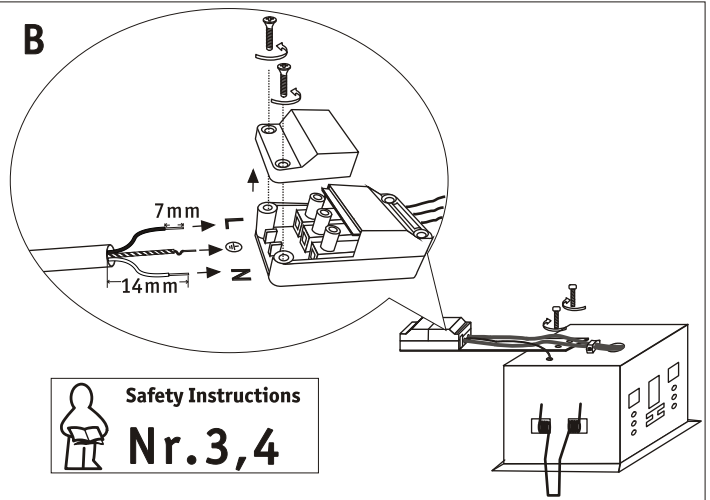


95X100mm



Safety Instructions

Nr.0,2



>0.5m = 0.5m



Safety Instructions

Nr.9

A,B,C

D,E



Art.No.
50W 51mm GU10 836.56