

SAFETY INSTRUCTIONS



SAFETY INSTRUCTIONS



5,6,7,8,11,15,22,26,27,28

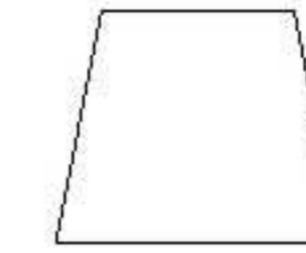
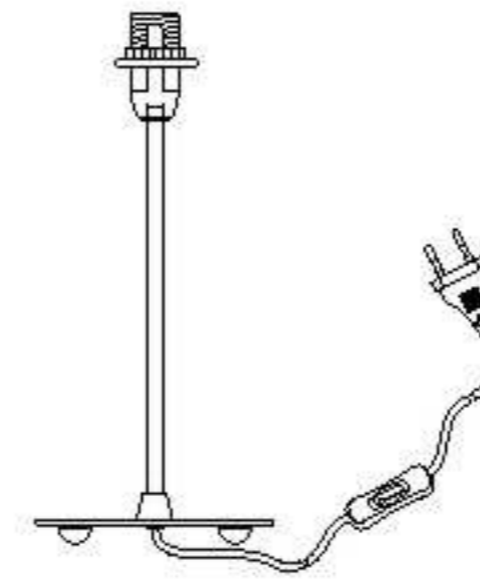


PAULMANN LICHT GmbH
Quezinger Feld 2 • D-31832 Springe
www.Paulmann.com

☎ +49 (0) 5041 998 389

🕒 7⁰⁰ - 20⁰⁰ 🕒

Mon. - Fri.



40W X1

